



SUGARCANE GRABBER



CENTURY CRANE ENGINEERS (P) LTD.

Corporate office & Works

Plot # 122-129, Sector-59, Phase-II, Jhajhuru Road, Ballabgarh (Haryana)

Plant - II : Prithla Dhudhola Road, Distt. Palwal - 121002, **Tel.:** 01275-262560, **Fax :** 01275 - 2620920

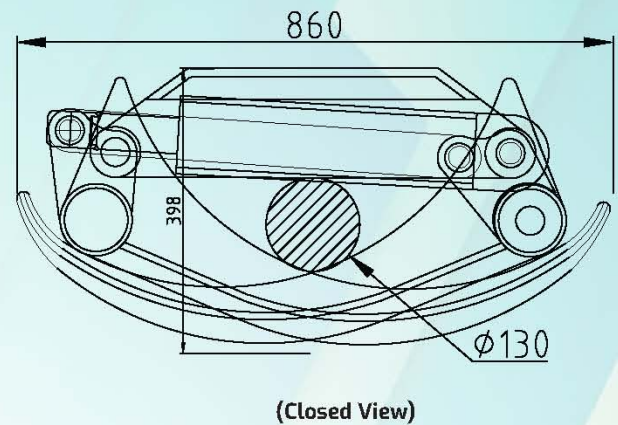
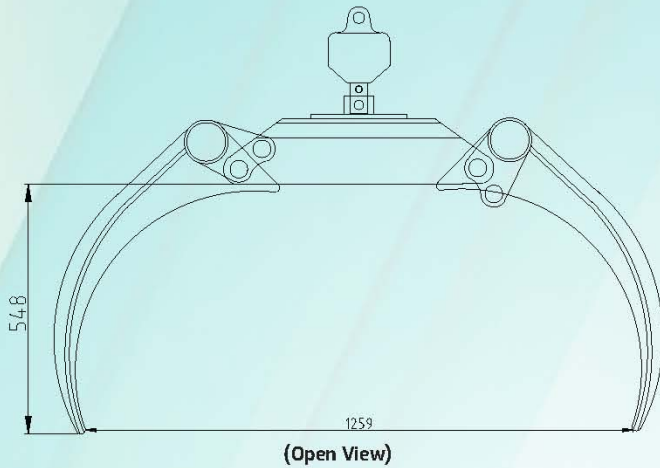
E-mail : centurycranes@gmail.com, century@centurycranes.com, tmc@centurycranes.com,

Website : www.centurycranes.com



TECHNICAL SPECIFICATION

Type	Lifting Capacity	Capacity (kg)	Open Height (mm)	Close Height (mm)	Self Weight (kg)	Grabbing Capacity (mm)	Width
Model 1	400 kg@5Mtr.	ø130Rod/Barcity	548	398	100	1200	860



Crane Model	CCK1E0
Crane Capacity	2.2 Tm.
Max. Outreach	5 Mtr.
Max. Load@ Max. Outreach	400Kg.@5 Mtr.
Suitable Vehicle GVW	9 Ton

Truck Crane Requirements

Operating pressure - 210 bar | Pump Capacity - 40 Lpm.

DISTANCE	WEIGHT OF GRABBER	PAYLOAD	TOTAL
3.2 MTR.	100 KG.	650 KG.	750 KG.
4.0 MTR.	100 KG.	550 KG.	650 KG.
5.0 MTR.	100 KG.	400 KG.	500 KG.

SUGARCANE GRABBER ADVANTAGES

- ♦ The technically advanced Sugarcane Grabber is extremely versatile for loading & unloading at respective place.
- ♦ Sugarcane Grabber is a multipurpose attachment and it's also used for wooden logs loading and unloading purpose.
- ♦ Reduce labour requirement.
- ♦ Time saving due to 360° rotation.
- ♦ High efficiency due to versatile operation.
- ♦ Simple and safe method of operation because of synchronized function of the clamping arms.